

# READY-MADE ALUMINUM BLINDS

## FEATURES

- Available with:  
1" (25mm), and  
2" (50mm) slats.
- Wand tilters, with nickel plated zinc stems, for durability and strength.
- Cord locks with solid brass rollers in a clear polycarbonate housing.
- Aluminum Slats:  
6 guage (0.18mm).  
8 guage (0.21mm) available upon request.
- Color coordinated cords and hardware.

## ADDITIONAL FEATURES

- Available in up to 96 colors (250 blinds per color, minimum).
- Perforated slats available.
- Standard with a 24mm by 26mm steel head rail and "C" channel bottom rail.
- "Curved" head rail 1-1/2" (35mm) available — ideal for decorative or commercial projects.



ALUMINUM

### Packaging —

- Each comes standard in a white box with Hardware Kit packet (4–6 per master carton, depending on size). Also available in UPS shippable box.
- "Bulk-packing" available — for contract applications — eliminates unneeded cardboard waste, and allows for more efficient container packing. Contact us for more information.

### Retail Packaging —

- Custom packaging and labeling is available for retail applications. Blinds can be packed in generic boxes with color labels, or fully customized to meet your needs.

### Special Features —

- Bar coding, special labeling, specific requirements, and packaging is available. Our experienced staff can

help you with your order and help you make the right choices when ordering blinds.

### Programs Available —

We make it easy to order blinds directly from our factory in China.

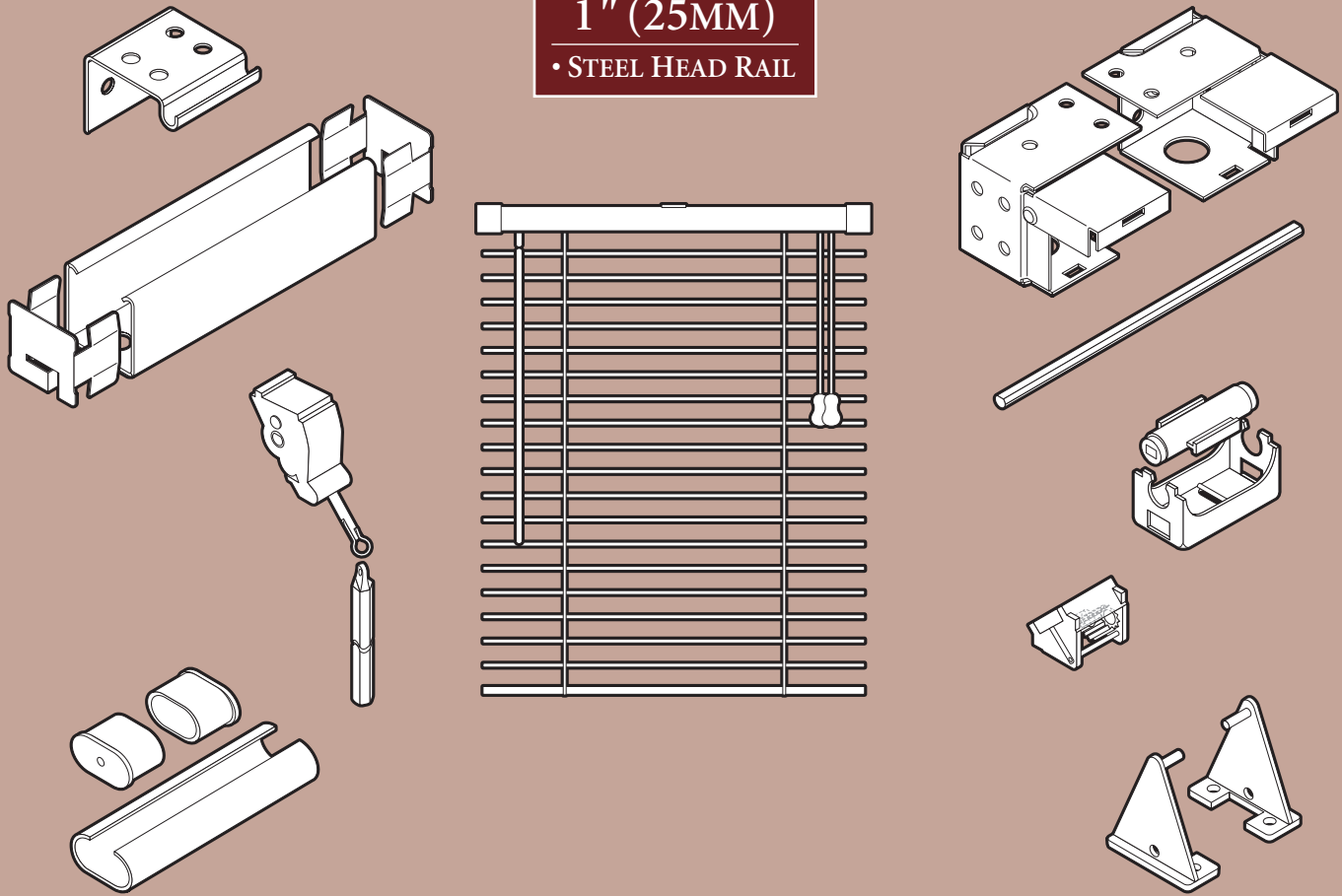
- Blinds can be ordered in 20 foot or 40 foot containers directly from our factory for the best value.
- We also offer a "Container Add-On Program."

### Average Container Packing —

Aluminum blinds:	1"	2"
20 ft Container	5,000	1,800 blinds
40 ft Container	8,000	3,000 blinds

NOTE: The amounts listed above are average quantities only. Your actual quantity may vary based on actual sizes that are ordered. Go to CONTAINER PACKING for more details.

1" (25MM)  
• STEEL HEAD RAIL



HEAD RAIL	DESCRIPTION	PART NO.
Type	Steel	25404xxx
Size	24mm x 26mm x 0.5mm (W x H x T)	
Color	Color Coordinated	
Dimensions	IB = 0.5" less than stated width; OB = Net Size	
Cord Lock Location	RHC (right hand cord); 4" on-center from end	
Wand Tilter Location	LHC (left hand tilt); 4" on-center from end	
Ladder Location	6" on-center from end	
Head Rail ID Label	Made in China	

BOTTOM RAIL		
Type	Steel; "C"-style	25405xxx
Size	20mm x 10.25mm x 0.5mm (W x H x T)	
Color	Color Coordinated	
Dimensions	IB = 0.5" less than stated width; OB = Net Size	
Lift Cord Route Hole	6" on-center from end	
Warning Label	Attached to center of bottom rail	

SLAT		
Type	Aluminum	
Size	25mm x 0.18mm	
Color	Color Coordinated	
Dimensions	IB = 0.5" less than stated width; OB = Net Size	

VALANCE		
Type	Aluminum, 2-slats	
Size	25mm x 0.18mm	
Color	Color Coordinated	
Dimensions	Cut 0.5" larger than stated blind width	

PARTS & ACCESSORIES		
Cord Lock	Universal	51203000
Cord Stop	CPSC Safety Cord Stop on all lift cords	50772000
Tassels	Plastic; clear; single tassel per cord	25700000
Wand Tilter	With Zinc stem	25103000
Wand	8mm Clear Hex; typically 50% of drop	25790000

PARTS & ACCESSORIES – cont'd		PART NO.
Installation Brackets	Box Style; left and right; hinged upwards	25414xxx
Center Support	Steel; with Zinc plating	25401000
Valance Clips	Plastic; double-slat	25740000
Bottom Rail Button	Plastic; clear	25510000
Hold Down Bracket	Plastic; clear	25630000
Tape Drum	Plastic	25302000
Tape Drum Support	Plastic; roller on right	25301000
End Brace	Metal	25402000
Bottom Rail End Plug	Plastic; clear "C"-style	25520000
Ladder	22.5mm (spacing) x 28mm (width)	
Lift Cord	1.4mm Polyester	
Cord Length	Typically 50% of drop	
Installation Brkt. Screws	4.0mm x 30mm; Hex Drive	
Hold Down Brkt. Screws	3.5mm x 16mm	

**PACKAGE**

Each Blind in a plastic bag;  
Each Blind in a white box with hardware accessory kit.  
Blinds up to 47" packed six blinds per master carton;  
Blinds over 47" packed four blinds per master carton.

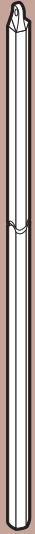
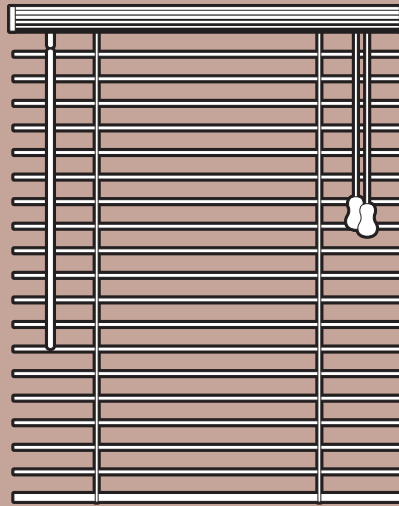
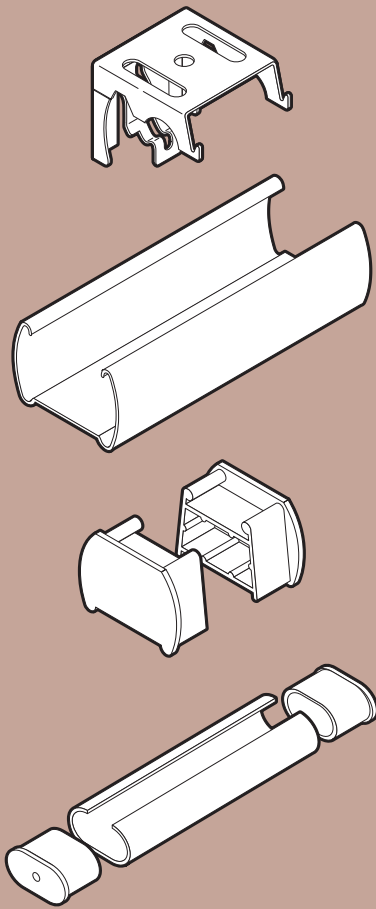
LADDERS & CORDS						
Blind Width:	<30.5"	31"+	43"+	50"+	64"+	80"+
Ladders	2	3	3	4	5	6
Cords	2	2	3	4	3	4

COMPONENTS BOX				
Blind Width:	<45"	45"+	56"+	80"+
Installation Brackets (pair)	1pr	1pr	1pr	1pr
Installation Bracket Screws	8	10	12	14
Hold Down Brackets	2	2	2	2
Hold Down Bracket Screws	4	4	4	4
Valance Clips	2	3	4	4
Center Support(s)	0	1	2	3

1" Aluminum (rev: 08-0312)

# 1" (25MM)

## • 35MM CURVED HEAD RAIL



ALUMINUM

HEAD RAIL	DESCRIPTION	PART NO.
Type	Steel; curved face	
Size	24mm x 35mm x 0.5mm (W x H x T)	
Color	Color Coordinated	
Dimensions	IB = 0.5" less than stated width; OB = Net Size	
Cord Lock Location	RHC (right hand cord); 4" on-center from end	
Wand Tilter Location	LHC (left hand tilt); 4" on-center from end	
Ladder Location	6" on-center from end	
Head Rail ID Label	Made in China	

BOTTOM RAIL		
Type	Steel; "C"-style	25405xxx
Size	20mm x 10.25mm x 0.5mm (W x H x T)	
Color	Color Coordinated	
Dimensions	IB = 0.5" less than stated width; OB = Net Size	
Lift Cord Route Hole	6" on-center from end	
Warning Label	Attached to center of bottom rail	

SLAT		
Type	Aluminum	
Size	25mm x 0.18mm	
Color	Color Coordinated	
Dimensions	IB = 0.5" less than stated width; OB = Net Size	

PARTS & ACCESSORIES		
Cord Lock	35mm Universal	
Cord Stop	CPSC Safety Cord Stop on all lift cords	50772000
Tassels	Plastic; clear; single tassel per cord	25700000
Wand Tilter	With plastic stem	
Wand	8mm Clear Hex; typically 50% of drop	25790000
Installation Brackets	35mm Universal	
Bottom Rail Anchor	Plastic; clear	25510000

PARTS & ACCESSORIES – cont'd		
Hold Down Bracket	Plastic; clear	25630000
Tape Drum	Plastic	
Tape Drum Support	Plastic; roller on right	
End Brace	Plastic	
Bottom Rail End Plug	Plastic; clear "C"-style	25520000
Ladder	22.5mm (spacing) x 28mm (width)	
Lift Cord	1.4mm Polyester	
Cord Length	Typically 50% of drop	
Installation Brkt. Screws	4.0mm x 30mm; Hex Drive	
Hold Down Brkt. Screws	3.5mm x 16mm	

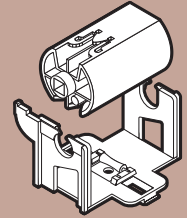
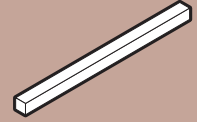
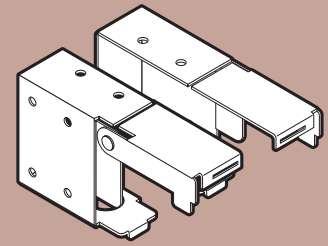
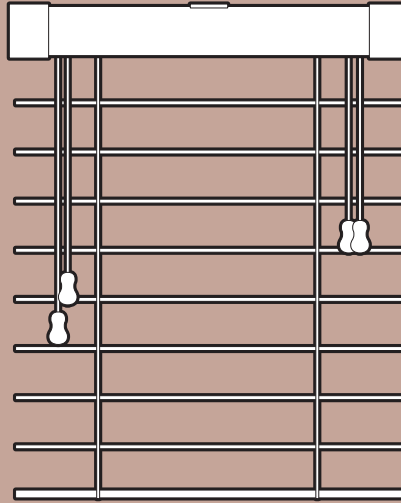
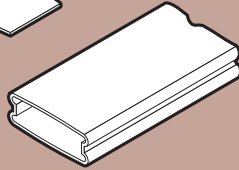
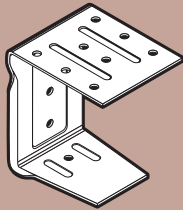
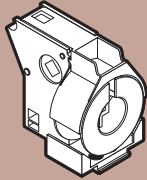
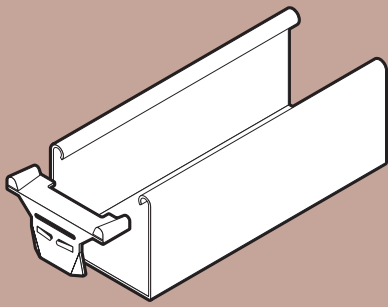
PACKAGE	
	Each Blind in a plastic bag; Each Blind in a white box with hardware accessory kit. Blinds up to 47" packed six blinds per master carton; Blinds over 47" packed four blinds per master carton.

LADDERS & CORDS						
Blind Width:	<30.5"	31"+	43"+	50"+	64"+	80"+
Ladders	2	3	3	4	5	6
Cords	2	2	3	4	3	4

COMPONENTS BOX				
Blind Width:	<45"	45"+	56"+	80"+
Installation Brackets (pair)	1pr	1pr	1pr	1pr
Installation Bracket Screws	8	10	12	14
Hold Down Brackets	2	2	2	2
Hold Down Bracket Screws	4	4	4	4
Center Support(s)	0	1	2	3

1" ALUMINUM – 35mm Curved HR (rev: 08-0213)

**2" (50MM)**  
**• HIGH-PROFILE HEAD RAIL**



HEAD RAIL	DESCRIPTION	PART NO.
Type	Steel; High Profile	50404xxx
Size	58mm x 51mm x 0.5mm (W x H x T)	
Color	Color Coordinated	
Dimensions	IB = 0.5" less than stated width; OB = Net Size	
Cord Lock Location	RHC (right hand cord); 3.5" on-center from end	
Tilter Location	LHC (left hand tilt); 3.5" on-center from end	
Ladder Location	6" on-center from end	
Head Rail ID Label	Made in China	

BOTTOM RAIL	DESCRIPTION	PART NO.
Type	Steel; Locked Seam	
Size	50.8mm x 16mm	
Color	Color Coordinated	
Dimensions	IB = 0.5" less than stated width; OB = Net Size	
Lift Cord Route Hole	6" on-center from end	
Warning Label	Attached to center of bottom rail	

SLAT	DESCRIPTION	PART NO.
Type	Aluminum	
Size	50mm x .18mm	
Color	Color Coordinated	
Dimensions	IB = 0.5" less than stated width; OB = Net Size	

VALANCE	DESCRIPTION	PART NO.
Type	Aluminum; 2-slats	
Size	50mm x .18mm	
Color	Color Coordinated	
Dimensions	Cut 0.5" larger than stated blind width	

PARTS & ACCESSORIES	DESCRIPTION	PART NO.
Cord Lock	Plastic	50203000
Cord Stop	CPSC Safety Cord Stop on all lift cords	50772000
Tassels	Plastic; single tassel per cord	50912xxx
Cord Tilter	Plastic; small punch; zinc gear (4mm)	50115004
Installation Brackets	Color Coordinated	50403xxx

PARTS & ACCESSORIES – cont'd	DESCRIPTION	PART NO.
Center Support	Metal	50401000
Valance Clips	Plastic; double-slat	50744000
Bottom Rail Button	Wood	50510000
Hold Down Brackets	Plastic, clear	50630000
Tape Drum	Plastic; with shoulders (4mm)	50303204
Tape Drum Support	Plastic; with roller on right	50304211
End Brace	Metal	50402000
Tilt Rod	Steel (4mm)	50803004
Ladder	44mm (spacing) x 54mm (width)	
Lift Cord	2.0mm Polyester; CPSC safety stop on all lift cords	
Cord Length	Typically 50% of drop	
Installation Brkt Screws	4.0mm x 30mm; Hex Drive	
Hold Down Brkt Screws	3.5mm x 16mm	

**PACKAGE**

Each Blind in a plastic bag;  
 Each Blind in a white box with hardware accessory kit.  
 Blinds up to 47" packed six blinds per master carton;  
 Blinds over 47" packed four blinds per master carton.

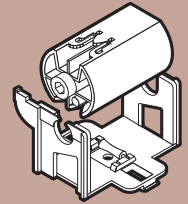
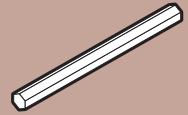
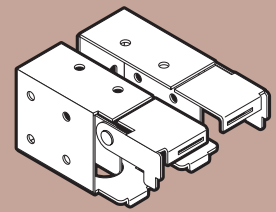
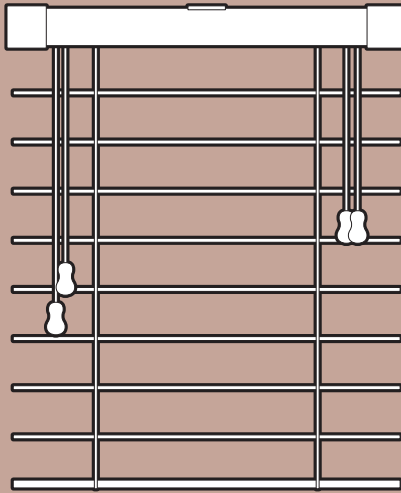
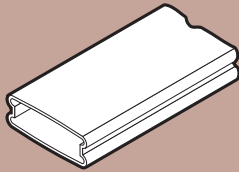
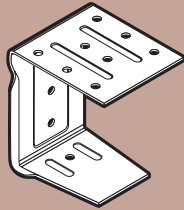
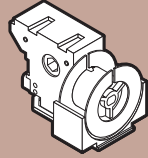
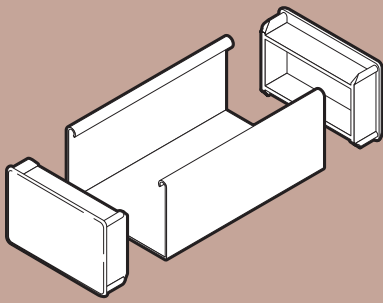
LADDERS & CORDS	DESCRIPTION	<32.5"	33"	50"	72.5"+
Blind Width — up to:					
Ladders		2	3	5	6
Cords		2	2	3	4

COMPONENTS BOX	DESCRIPTION	<32.5"	33"	50"	72.5"+
Blind Width — up to:					
Installation Brackets		1 pr	1 pr	1 pr	1 pr
Installation Bracket Screws		8	10	12	14
Hidden Valance Clips		2	3	3	4
Center Support		0	1	2	3
Hold Down Bracket		2	2	2	2
Hold Down Bracket Screws		4	4	4	4

2" Aluminum - HP (rev: 08-0213)

# 2" (50MM)

• LOW-PROFILE HEAD RAIL



ALUMINUM

HEAD RAIL	DESCRIPTION	PART NO.
Type	Steel; Low Profile	51404xxx
Size	58mm x 38mm x 0.5mm (W x H x T)	
Color	Color Coordinated	
Dimensions	IB = 0.5" less than stated width; OB = Net Size	
Cord Lock Location	RHC (right hand cord); 3" on-center from end	
Tilter Location	LHC (left hand tilt); 3" on-center from end	
Ladder Location	6" on-center from end	
Head Rail ID Label	Made in China	

BOTTOM RAIL	DESCRIPTION	PART NO.
Type	Steel; Locked Seam	
Size	50.8mm x 16mm	
Color	Color Coordinated	
Dimensions	IB = 0.5" less than stated width; OB = Net Size	
Lift Cord Route Hole	6" on-center from end	
Warning Label	Attached to center of bottom rail	

SLAT	DESCRIPTION	PART NO.
Type	Aluminum	
Size	50mm x .18mm	
Color	Color Coordinated	
Dimensions	IB = 0.5" less than stated width; OB = Net Size	

VALANCE	DESCRIPTION	PART NO.
Type	Aluminum; 2-slats	
Size	50mm x .18mm	
Color	Color Coordinated	
Dimensions	Cut 0.5" larger than stated blind width	

PARTS & ACCESSORIES	DESCRIPTION	PART NO.
Cord Lock	Plastic	51203000
Cord Stop	CPSC Safety cord stop; on all lift cords	50772000
Tassels	Plastic; single tassel per cord	50912xxx
Cord Tilter	Plastic; zinc gear (4mm)	51114004
Installation Brackets	Color Coordinated	51403xxx

PARTS & ACCESSORIES – cont'd	DESCRIPTION	PART NO.
Center Support	Metal	51401000
Valance Clips	Plastic; double-slat	50744000
Bottom Rail Button	Plastic	50510000
Hold Down Brackets	Plastic; clear	50630000
Tape Drum	Plastic; with shoulders (4mm)	51303204
Tape Drum Support	Plastic	51308000
End Brace	Metal	51402000
Tilt Rod	Hex (4mm)	35820004
Ladder	44mm (spacing) x 54mm (width)	
Lift Cord	1.8mm Polyester	
Cord Length	Typically 50% of drop	
Installation Brkt Screws	4.0mm x 30mm; Hex Drive	
Hold Down Brkt Screws	3.5mm x 16mm	

PACKAGE	DESCRIPTION
	Each Blind in a plastic bag;
	Each Blind in a white box with hardware accessory kit.
	Blinds up to 47" packed six blinds per master carton;
	Blinds over 47" packed four blinds per master carton.

LADDERS & CORDS	DESCRIPTION	<32.5"	33"	50"	72.5"+
Blind Width — up to:					
Ladders		2	3	5	6
Cords		2	2	3	4

COMPONENTS BOX	DESCRIPTION	<32.5"	33"	50"	72.5"+
Blind Width — up to:					
Installation Brackets		1 pr	1 pr	1 pr	1 pr
Installation Bracket Screws		8	10	12	14
Hidden Valance Clips		2	3	3	4
Center Support		0	1	2	3
Hold Down Bracket		2	2	2	2
Hold Down Bracket Screws		4	4	4	4

2" Aluminum - LP (rev: 08-0313)